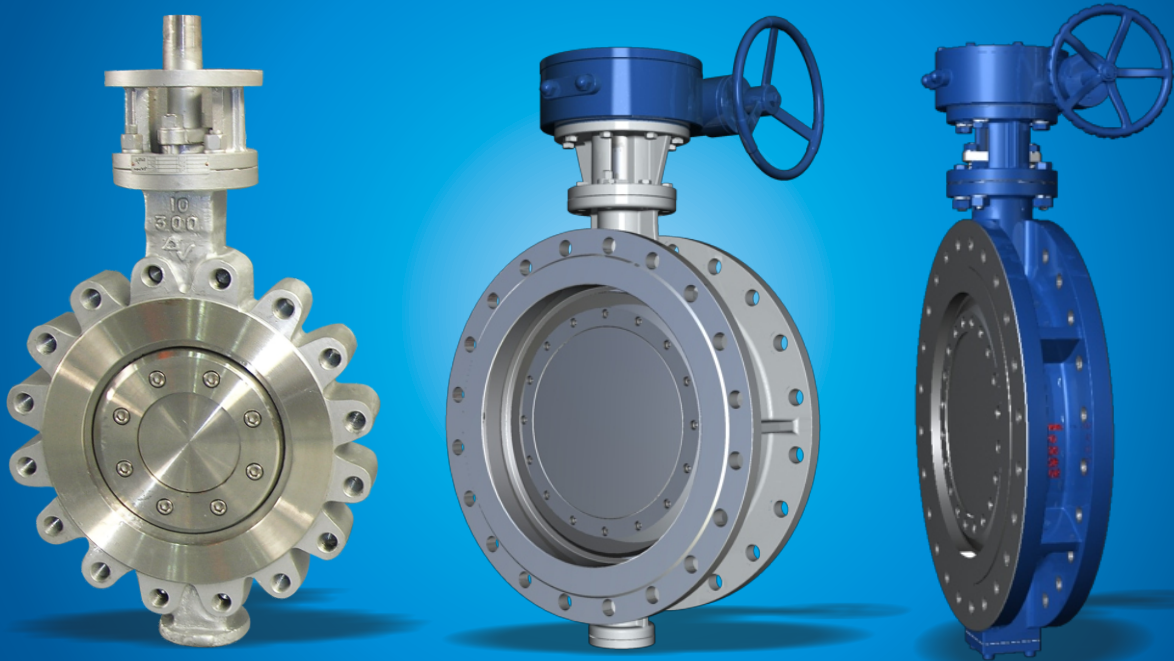


- Ball Valve •Gate Valve •Globe Valve •Check Valve •Forged Valve •DIN Valve



LEAD VALVE CO., LTD

BUTTERFLY VALVE DATA SHEET



Butterfly Valve Series

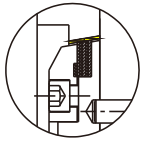
LEAD VALVE (UK) LTD

7-11 Minerva Road Park Royal
 London United Kingdom Nw10 6HJ
 www.leadvalve.co.uk

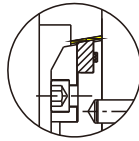
Applicable Standards:

DESIGN & MANUFACTURE CONFORM WITH: API609、MSS SP-67
 CONNECTION DIMENSION CONFORMS WITH: ASME B16.5、ASME B16.47
 STRUCTURE & LENGTH CONFORMS WITH: API 609、MSS SP-67、ISO 5752
 INSPECTION & TEST CONFORMS WITH: ISO 5208、API 598

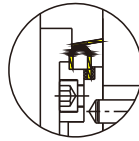
No	Part Name	No	Part Name
1	Body	10	Bottom end cover
2	Disc	11	Gasket
3	Clamp	12	Packing
4	Seat	13	Yoke
5	Ring	14	Nut
6	Screw	15	Bolt
7	Stem	16	Packing restrainer
8	Check pin	17	Flat key
9	Bushing sleeve	18	Bisect rings



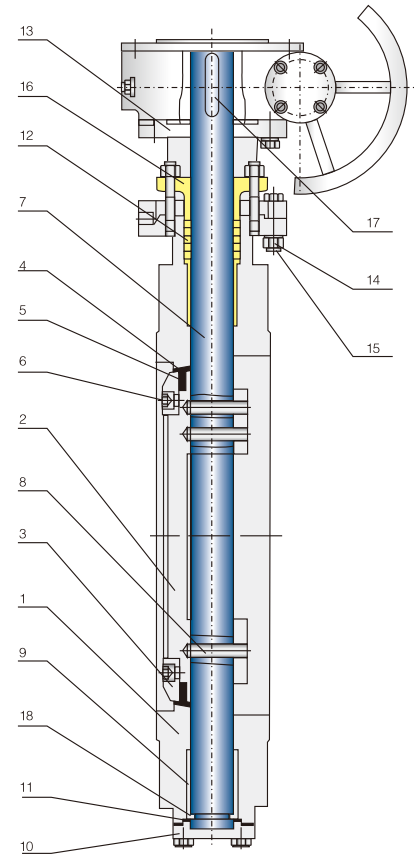
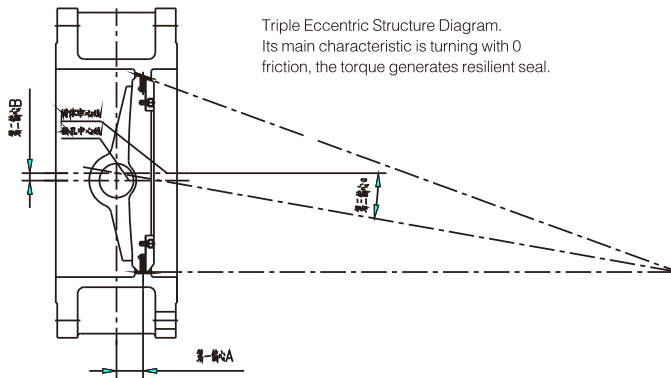
Multiple arrangement
metal hard sealed structure



metal resilient sealed structure



U metal sealed structure



Features and Application:

Three eccentric butterfly valve series is the newly-developed long-life and energy-saving products. The sealing is metal to metal, which could be changed to be seal ring to metal, stainless steel plate and composite graphite to metal. Under the working condition of high temperature and high pressure, it still has a stable sealing performance. Our company adopts optimization design and new technology, so that the torque is small, gaining the point of energy-saving, labor-saving and reliable sealing performance, thus to ensure the high-reliability of corrosion-resistance, stand fire and wear-resistance.

This product is widely used in petroleum, natural gas, piped gas and medicine, food industry, industrial environmental water treatment and shipping industry.

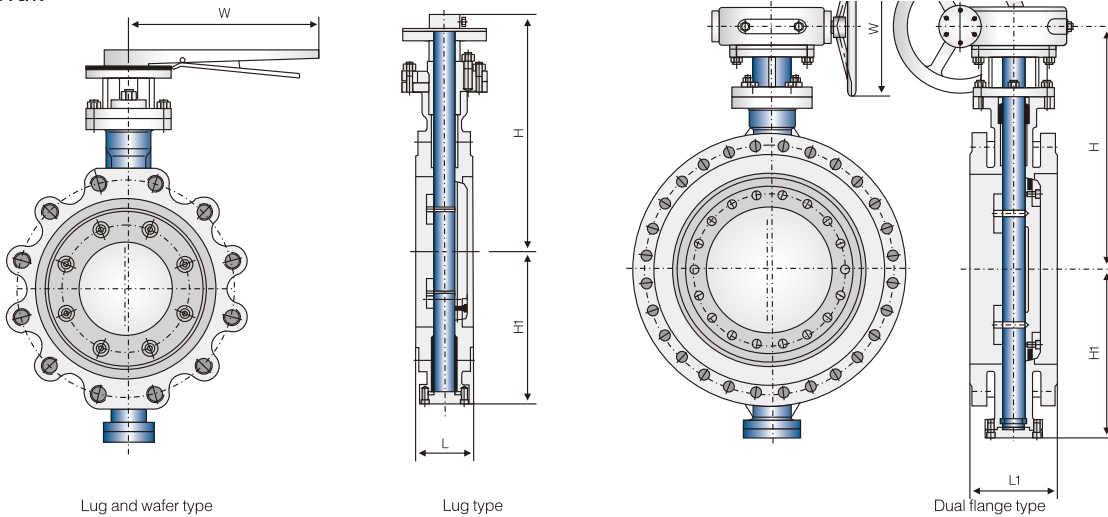
Materials of parts

Body	WCB/LCB/CF8M/CF8/CF3M/CF3/WC6/WC9/CD3MN
Disc	WCB+ENP/LCB/CF8M/CF8/CF3M/CF3/WC6/WC9/CD3MN
Seat	STL/13Cr/316/316L/304/304L/F316L/Monel/F51
Stem	F6a/17-4PH/F304/F316/F304L/F316L/F51/Monel
Ring	304+Flexible graphite/316+Flexible graphite/Stainless steel series
Bolt	B7M/B8M/L7M/B16M
Nut	2HM/8M/7M/4M
Clamp	A36+ENP/Stainless steel series
Bushing sleeve	C95200/C95500/SS+304
Gasket	Flexible graphite+304/Flexible graphite+316
Packing	Flexible graphite

Materials could be choosed according to customers' requirement & working condition.

LEAD VALVE (UK) LTD

7-11 Minerva Road Park Royal
 London United Kingdom Nw10 6HJ
 www.leadvalve.co.uk



Dimensional datas

NPS inch	DN	L mm	L1 mm	H1 mm	H mm	W mm	MT _(Wafer) kg	T N.m	NPS inch	DN	L mm	L1 mm	H1 mm	H mm	W mm	MT _(Wafer) kg	T N.m
ANSI Class 150Lb																	
2	50	43	108	112	225	220	10	55	★16	400	102	216	352	540	600	160	4128
3	80	48	114	126	255	270	12	226	★18	450	114	222	386	585	600	200	5511
4	100	54	127	146	285	270	16	325	★20	500	127	229	415	642	600	270	7190
★6	150	57	140	170	332	360	25	615	★24	600	154	267	482	693	600	420	7814
★8	200	64	152	218	386	300	36	902	★30	750	165	318	622	868	600	700	16450
★10	250	71	165	245	427	300	60	1278	★36	900	200	330	673	1000	700	1050	23501
★12	300	81	178	290	498	500	80	2628	★42	1050	251	410	755	1058	700	1500	31963
★14		92	190	316	510	500	120	3276	★48	1200	276	470	866	1278	700	1845	47000

Dimensional datas

NPS inch	DN	L mm	L1 mm	H1 mm	H mm	W mm	MT _(Wafer) kg	T N.m	NPS inch	DN	L mm	L1 mm	H1 mm	H mm	W mm	MT _(Wafer) kg	T N.m
ANSI Class 300Lb																	
-	50	-	-	-	-	-	-	-	★16	400	133	216	392	582	600	185	8152
3	80	48	114	130	265	270	15	352	★18	450	149	222	420	651	600	230	10223
4	100	54	127	150	290	270	19	514	★20	500	159	229	465	704	600	330	13469
★6	150	59	140	185	355	300	35	1073	★24	600	181	267	532	780	600	460	22827
★8	200	73	152	236	418	500	42	1954	★30	750	-	318	642	908	700	1280	39726
★10	250	83	165	273	456	500	68	2453	★36	900	-	330	703	1108	700	2150	63452
★12	300	92	178	313	498	600	88	3260	★42	1050	-	410	785	1258	700	3150	85326
★14		117	190	338	547	600	144	5405	★48	1200	-	470	906	1478	1000	4885	126742

Dimensional datas

NPS inch	DN	L mm	L1 mm	H1 mm	H mm	W mm	MT _(Wafer) kg	T N.m	NPS inch	DN	L mm	L1 mm	H1 mm	H mm	W mm	MT _(Wafer) kg	T N.m
ANSI Class 600Lb																	
-	-	-	-	-	-	-	-	-	★12	300	140	270	378	690	600	398	14236
3	80	54	180	152	305	270	38	575	★14	350	155	290	412	715	600	535	16947
4	100	64	190	193	338	360	58	1043	★16	400	178	310	450	823	600	780	20473
★6	150	78	210	248	416	500	120	3673	★18	450	200	330	512	897	600	898	25218
★8	200	102	230	295	490	600	154	4520	★20	500	216	350	563	1094	700	1266	31861
★10	250	117	250	342	580	600	297	7061	★24	600	232	390	622	1186	700	1622	46095